

# LFC-50

## Bio-Digester



### Reduce Carbon Footprint

Safely digests 50–90 kg (110–200 lbs) of waste food per day

### Add waste food anytime

Quickly digests waste food with no odor or noise

### Payback 6–24 months

Three years warranty



The LFC-50 is a fully enclosed automatic bio-digester that safely disposes of 50–90 kg (110–200 lbs) of waste food each 24 hours with no noise or odor. Once installed, you can add waste at any time without needing to empty byproducts. The LFC discharges only decomposed food as grey water that is environmentally safe.

With our proprietary mixture of microbes and enzymes, the LFC uses a series of processes in which microorganisms break down biodegradable material in the presence of oxygen. The LFC maintains equilibrium for the microorganisms by injecting water periodically; this rapidly

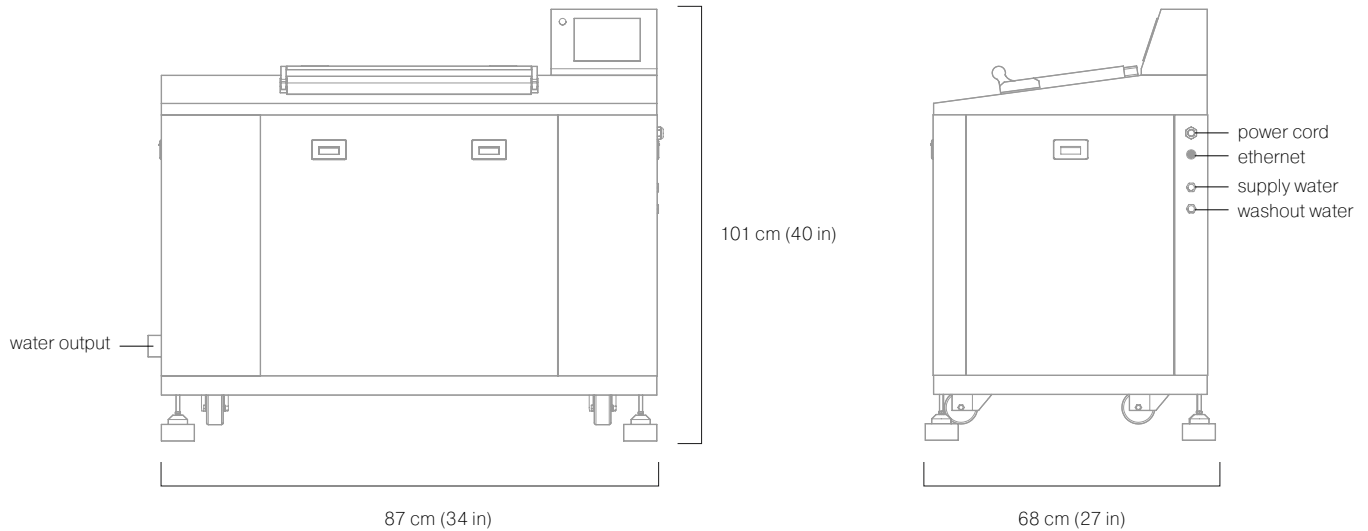
decomposes the waste food and flushes decomposed material out of the LFC.

Every 20 minutes, the LFC rotates an arm inside to slowly mix new waste food, old waste food, oxygen, water, and microorganisms to enhance the decomposition.

The LFC is a practical alternative to the traditional disposal of waste food. Anything you can eat, including fruits, vegetables, meat, fish, cheese, bread, rice, and noodles can go into the LFC.

# LFC-50

## Technical Specifications



### Capacity per Day

50–90 kg (110–200 lbs)

### Construction

All stainless steel (chassis, side panels, drum, shaft, arms, paddle, and load cells)

### Dimensions

87 x 68 x 101 cm (34 x 27 x 40 in)

### Weight when Empty

168 kg (370 lbs)

### Water Inlet

½" female (DN15), 250 to 700 kPa (36 to 100 psi, 2.5 to 7 kg/cm<sup>2</sup>)

### Water per Day

150 litres (40 gallons) typical

### AC Supply

120 V, 60 Hz or 230 V, 50 Hz  
15 A, single phase

### Maximum Power

650 W

### Energy per Day

3.9 kWh typical

### Weighing Accuracy

±1%

### User Interface

22 mm 3-color LED  
4" touchscreen with 65k colors

### Ethernet

RJ45, 100 baseT, DHCP  
or fixed IP address

### Operating Environment

Indoors or covered patio

### Operating Temperature

4°C to 35°C (39°F to 95°F)

### Ingress Protection

IP54 – splash proof and dust proof

### Powerzyme

0.5 litre, included with initial purchase

### Powerchips

50 litre, included with initial purchase

### Operating Lifetime

Expected to be 15 to 25 years

### Warranty

3 years on all parts and components

### Safety

Certified to UL430  
(waste disposal machines)  
CAN/CSA-C22.2 No. 60335-1:11  
EN 60335-1:2010+AMD1:2013  
(general safety)  
CAN/CSA-C22.2 No. 60335-2-16:16  
EN 60335-2-16:2002+A1:2008+A2:2011  
(waste food disposers)

### EMC

EN 61000-6-3:2007+A1:2011  
EN 61000-6-1:2007  
EN 61000-3-2:2006+A1:2008+A2:2009  
EN 61000-3-3:2013

### RoHS

Compliant for EU and China



Power Knot LLC | 2290 Ringwood Avenue | San Jose, CA 95131 USA | +1-408-889-8433 | info@powerknot.com | www.powerknot.com

Power Knot, the Power Knot logo, the Power Knot mark, LFC, and LFC Cloud are trademarks or registered trademarks of Power Knot LLC. All other trademarks used herein are the property of their respective owners. Copyright © 2009–2017 Power Knot LLC; all rights are reserved. Specifications are subject to change at any time without notice. Document number 96-01034-02, 8 March 2017.